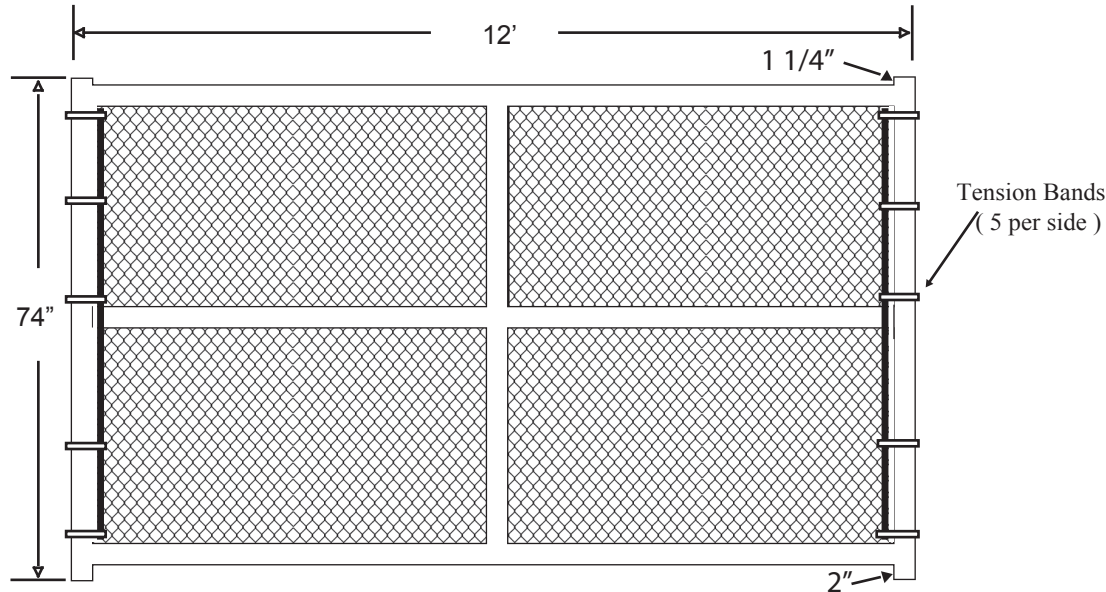
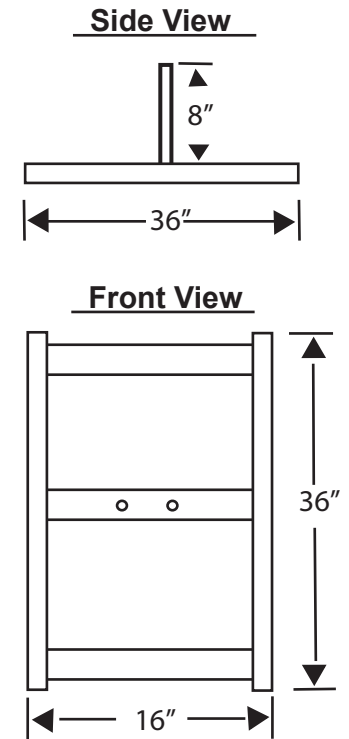


Standard Temporary Construction Fence Panel Specification

Panels



Stabalizers / Stands



	Height	Mesh	Gauge
Fabric	6'	2"	11
		O.D.	Wall
Framework	1 3/8"	.065"	

Notes:

- 2 x 11ga wire fill
- Tension bands w/ nuts and bolts (not press clips)
- Wire ties every 12 Inches

All pipe and wire to be hot dipped galvanized



Academy Fence Manufacturing Company

119 North Day Street Orange, N.J. 07050
Phone: 973-674-0600 Fax: 973-674-0400

Standard Temporary Construction Panel

Approved By / Approved Date

Drawn By:

Effective Date

Drawing NO.

TCF612